
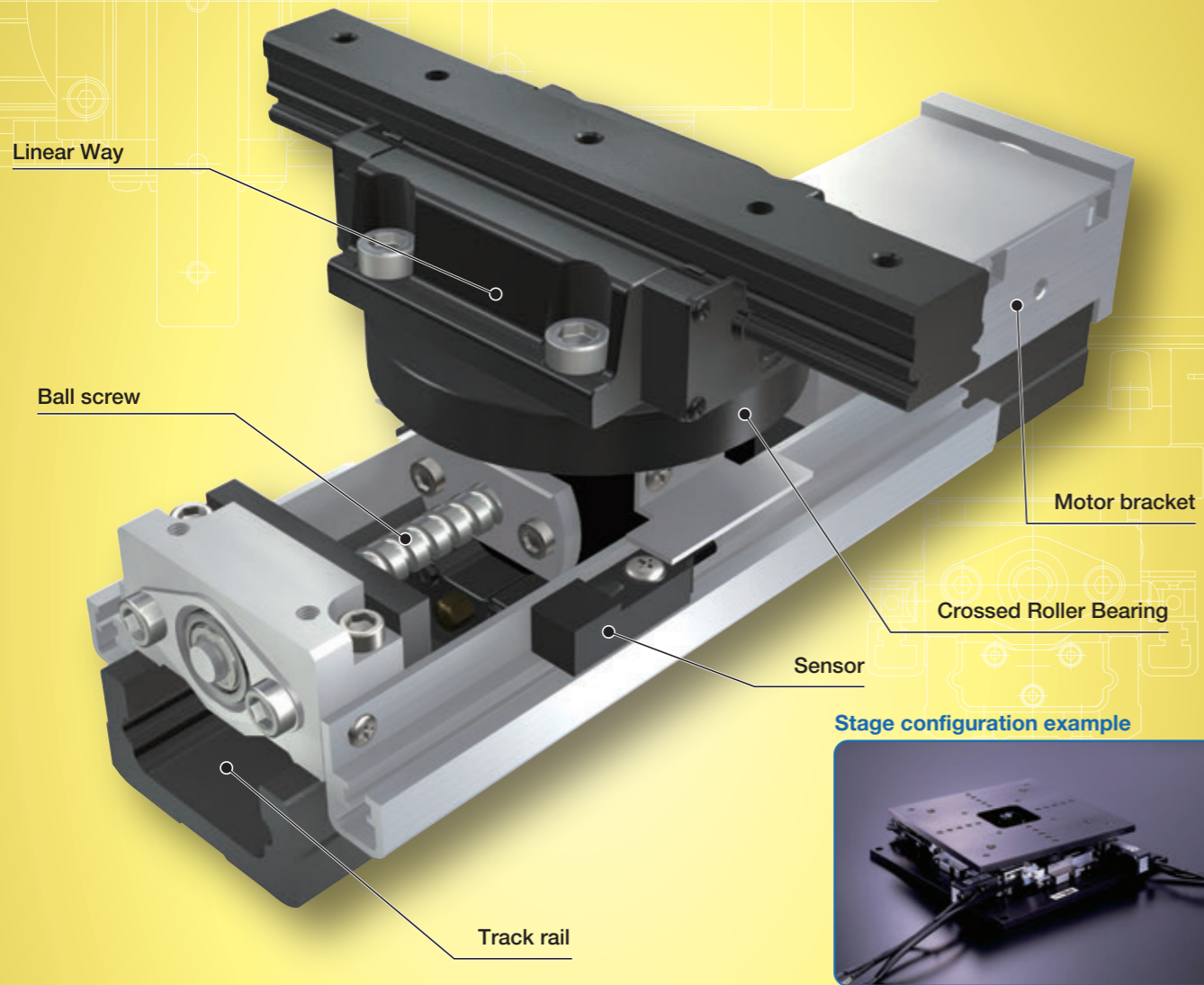


AM

AM

AM

Ball screw

 Linear / Rotation



Stage configuration example



Major product specifications

Driving method	Precision ball screw
Linear motion rolling guide and bearing	Linear Way (ball type) Crossed Roller Bearing
Built-in lubrication part	No built-in
Material of table and bed	High carbon steel
Sensor	Provided as standard

Accuracy

Positioning repeatability	±0.002
Positioning accuracy	0.020
Lost motion	-
Parallelism in table motion A	-
Parallelism in table motion B	0.008
Attitude accuracy	-
Straightness	-
Backlash	0.003

unit: mm

Points

● Positioning module enabling various motions

1 This is a positioning module developed for alignment stage by combining the high rigidity Crossed Roller Bearing and Linear Way based on the Precision Positioning Table TU.

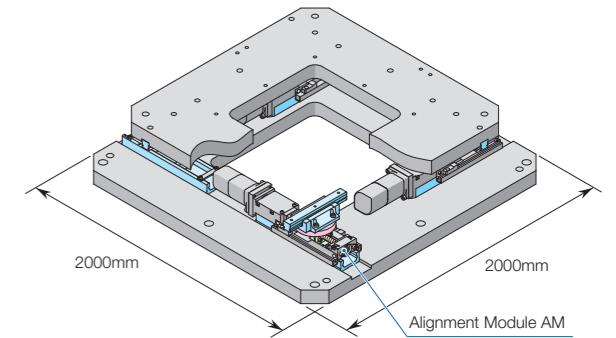
● Height adjustment is not required.

2 Tolerance of height dimension is managed at high precision of ±10 μm. Alignment stage can be configured without adjusting the heights of respective Alignment Module AM.

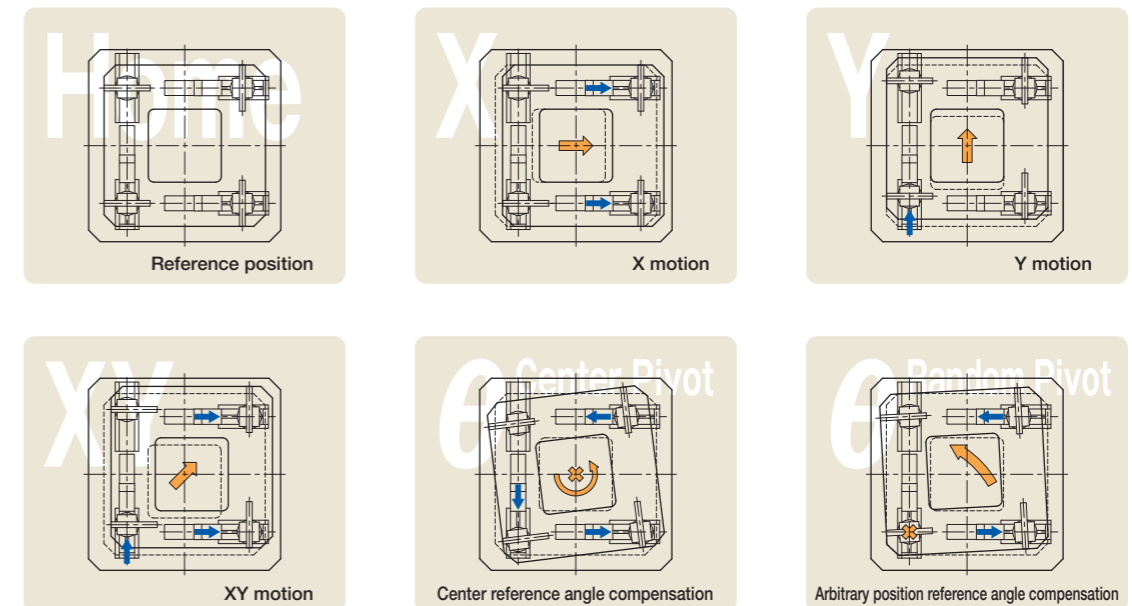
● Flexibility of freely designing the stage according to the usage

3 This unit helps you freely design the alignment stage according to the usage by combining various stages and bases into the Alignment Module AM.

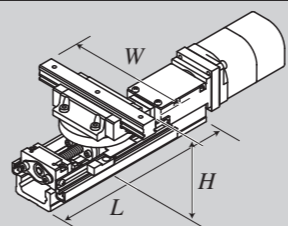
● Large stage of □2,000 class is also supported!



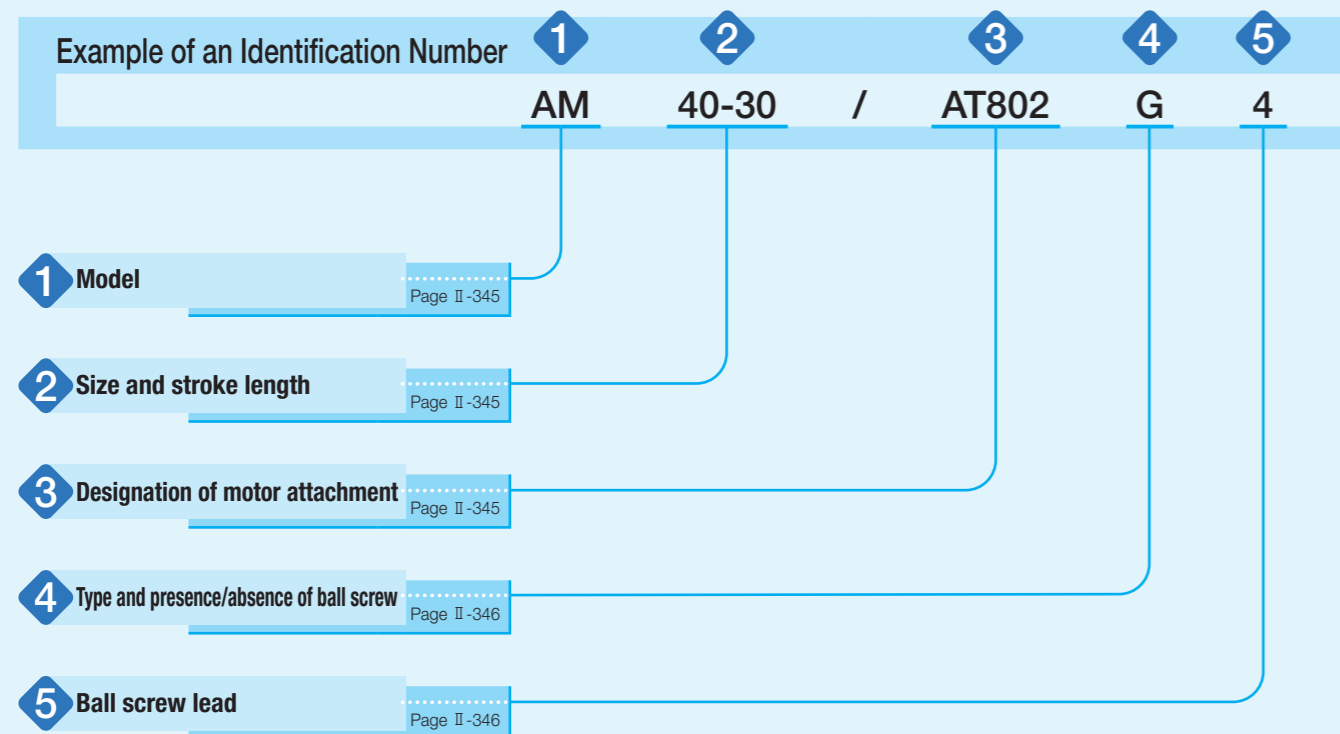
Configuration example and operating principle of alignment stage



Variation

Shape	Model and size	Size W×L×H (mm)	Stroke length (mm)
	AM25	86×130× 47	30
	AM40	120×180× 78	30
	AM60	220×290×110	90
	AM86	350×390×148	120

Identification Number



Identification Number and Specification

1 Model	AM: Alignment Module AM
2 Size and stroke length	25- 30: Width 25mm, stroke length 30mm, height 47mm 40- 30: Width 40mm, stroke length 30mm, height 78mm 60- 90: Width 60mm, stroke length 90mm, height 110mm 86-120: Width 86mm, stroke length 120mm, height 148mm
3 Designation of motor attachment	AT800: Without motor attachment To specify the motor attachment, select it from the list of Table 1. <ul style="list-style-type: none"> · Motor should be prepared by customer. · Please specify motor attachment applicable to motor for use. · If motor attachment is specified, a coupling shown in Table 2 is mounted on the main body before shipment. However, the final position adjustment should be made by customer since it is only temporarily fixed. · For a product without motor attachment (AT800), no coupling is attached.

Identification Number and Specification

Table 1 Application of motor attachment

Type	Manufacturer	Series	Motor to be used		Flange size mm	Motor attachment					
			Model	Rated output W		AM25	AM40	AM60	AM86		
AC servo motor	YASKAWA ELECTRIC CORPORATION	Σ-7	SGM7M-A2A	22	□25	AT801	-	-	-		
			SGM7M-A3A	33		AT801	-	-	-		
			SGM7J-A5A	50	-	AT802	-	-			
			SGM7A-A5A		-	AT802	-	-			
			SGM7J-01A	100	-	AT802	AT803	-			
			SGM7A-01A		-	AT802	AT803	-			
			SGM7A-C2A	150	-	-	AT803	-			
			SGM7J-02A	200	-	-	-	AT804			
			SGM7A-02A		-	-	-	AT804			
			SGM7J-04A	400	-	-	-	AT805			
			SGM7A-04A		-	-	-	AT805			
			Mitsubishi Electric Corporation	J4/J5	HG-AK0236	20	□25	AT801	-	-	-
	HG-AK0336	30			AT801	-		-	-		
	HG-MR053	50			-	AT802	-	-			
	HG-KR053/HK-KT053W				-	AT802	-	-			
	HG-MR13	100			-	AT802	AT803	-			
	HG-KR13/HK-KT13W				-	AT802	AT803	-			
	HG-MR23	200			-	-	-	AT804			
	HG-KR23/HK-KT23W				-	-	-	AT804			
	HG-MR43	400			-	-	-	AT805			
	HG-KR43/HK-KT43W				-	-	-	AT805			
	Panasonic Corporation	MINAS A6			MSMF5A	50	□38	-	AT807	-	-
					MSMF01	100		-	AT807	AT808	-
			MSMF02	200	□60	-	-	-	AT809		
			MSMF04	400		-	-	-	AT810		
	Hitachi Industrial Equipment Systems Co., Ltd	AD	ADMA-R5L	50	□40	-	AT802	-	-		
			ADMA-01L	100		-	AT802	AT803	-		
			ADMA-02L	200	□60	-	-	-	AT804		
			ADMA-04L	400		-	-	-	AT805		

Remark: For detailed motor specifications, please see respective motor manufacturer's catalog.

Table 2 Coupling models

Motor attachment	Coupling models	Manufacturer	Coupling inertia J_c $\times 10^{-5} \text{kg} \cdot \text{m}^2$
AT801	UA-15C- 5× 5	Sakai Manufacturing Co., Ltd	0.024
AT802	UA-20C- 5× 8	Sakai Manufacturing Co., Ltd	0.086
AT803	UA-25C- 8× 8	Sakai Manufacturing Co., Ltd	0.290
AT804	UA-30C-10×14	Sakai Manufacturing Co., Ltd	0.603
AT805	UA-35C-10×14	Sakai Manufacturing Co., Ltd	1.34
AT807	UA-20C- 5× 8	Sakai Manufacturing Co., Ltd	0.086
AT808	UA-25C- 8× 8	Sakai Manufacturing Co., Ltd	0.290
AT809	UA-30C-10×11	Sakai Manufacturing Co., Ltd	0.603
AT810	UA-35C-10×14	Sakai Manufacturing Co., Ltd	1.34

Remark: For detailed coupling specification, please see the manufacturer's catalog.

4 Type and presence/absence of ball screw	G: Ground ball screw N: Without ball screw When selecting N, specify AT800 for \diamond and set "No symbol" for \diamond .
5 Ball screw lead	4: Lead 4mm (applicable to AM25 and AM40) 5: Lead 5mm (applicable to AM60 and AM86)

Specifications

Table 3 Accuracy

Model and size	Stroke length ⁽¹⁾	Length of track rail	Positioning repeatability ⁽¹⁾	Positioning accuracy ⁽¹⁾	Parallelism in motion B	Backlash ⁽¹⁾
AM25	30	130	±0.002	0.020	0.008	0.003
AM40	30	180				
AM60	90	290				
AM86	120	390				

Note (1) Not applicable to "Without ball screw" specification.

Table 4 Height

Model and size	Module height	Tolerance of height
AM25	47	±0.010
AM40	78	
AM60	110	
AM86	148	

Remark: These are values of distance between mounting surface and the center of module upper surface under the condition where upper and lower axis intersect orthogonally and the linear motion rolling guide of each axis stays at the center of the stroke.

Table 6 Specifications of ball screw

Model and size	Shaft dia.	Overall length
AM25- 30	6	146
AM40- 30	8	158
AM60- 90	12	263
AM86-120	20	359

Table 7 Maximum carrying mass

Model and size	Carrying mass center of gravity mm	Maximum carrying mass kg								
		Length L	Horizontal direction				Vertical direction			
			0	100	200	300	0	100	200	300
AM25	0	11	1.2	0.6	0.4	4.6	0.4	0.2	0.1	
	100	6	1.1	0.6	0.4	0.6	0.3	0.2	0.1	
	200	3.7	1.0	0.6	0.4	0.3	0.2	0.1	0.1	
	300	2.6	0.9	0.5	0.4	0.2	0.1	0.1	0.1	
AM40	0	39	11	5	4.0	10	4.9	2.5	1.7	
	100	39	9	5	3.9	4.6	3.0	2.0	1.4	
	200	25	8	5	3.7	2.4	1.9	1.5	1.2	
	300	18	7	4.9	3.5	1.6	1.4	1.2	1.0	
AM60	0	88	30	16	11	13	13	8	5	
	100	88	27	15	11	13	9	6	4.6	
	200	59	23	14	10	7	6	4.9	3.9	
	300	44	21	13	10	5	4.4	3.8	3.3	
AM86	0	210	93	52	36	23	23	23	21	
	100	210	84	49	35	23	23	23	17	
	200	192	76	47	34	23	22	19	15	
	300	150	69	44	32	20	17	14	13	

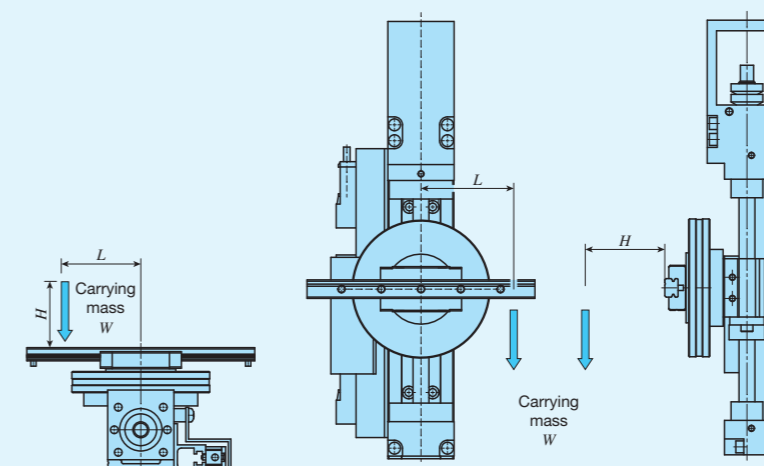
Remark 1. The maximum carrying mass is adjusted by the mass when the rating life of the linear motion rolling guide, ball screws, or bearings is 18,000 hours during continuous operation at a number of revolutions of the motor of 3000min⁻¹ and an acceleration/deceleration time of 0.2s. The mass calculated is based upon the basic static load rating of the linear motion rolling guide.
 2. Please refer to the carrying mass center of gravity diagrams on page II-348 for details on length L and height H.
 3. Please also check the maximum load mass on page III-21.

unit: mm

Table 5 Maximum speed

Model and size	Ball screw lead mm	Maximum speed mm/s
AM25	4	200
AM40		
AM60	5	250
AM86		

Remark: To measure the practical maximum speed, it is required to consider operation patterns based on the motor to be used and load conditions.



Carrying mass center of gravity (horizontal direction)

Carrying mass center of gravity (vertical direction)

Table 8 Table inertia and starting torque

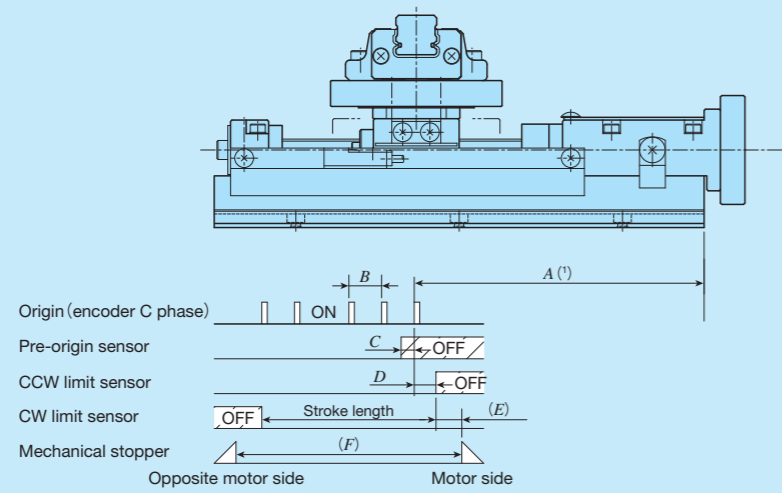
Model and size	Table inertia J_T × 10 ⁻⁵ kg·m ²	Starting torque T_s N·m
AM25	0.028	0.02
AM40	0.08	0.04
AM60	0.59	0.09
AM86	4.97	0.13

Mounting

For the processing accuracy of the Precision Positioning Table mounting surface and the tightening torque of the fixing screws, see page III-36.

Sensor Specification

Table 9 Sensor timing chart

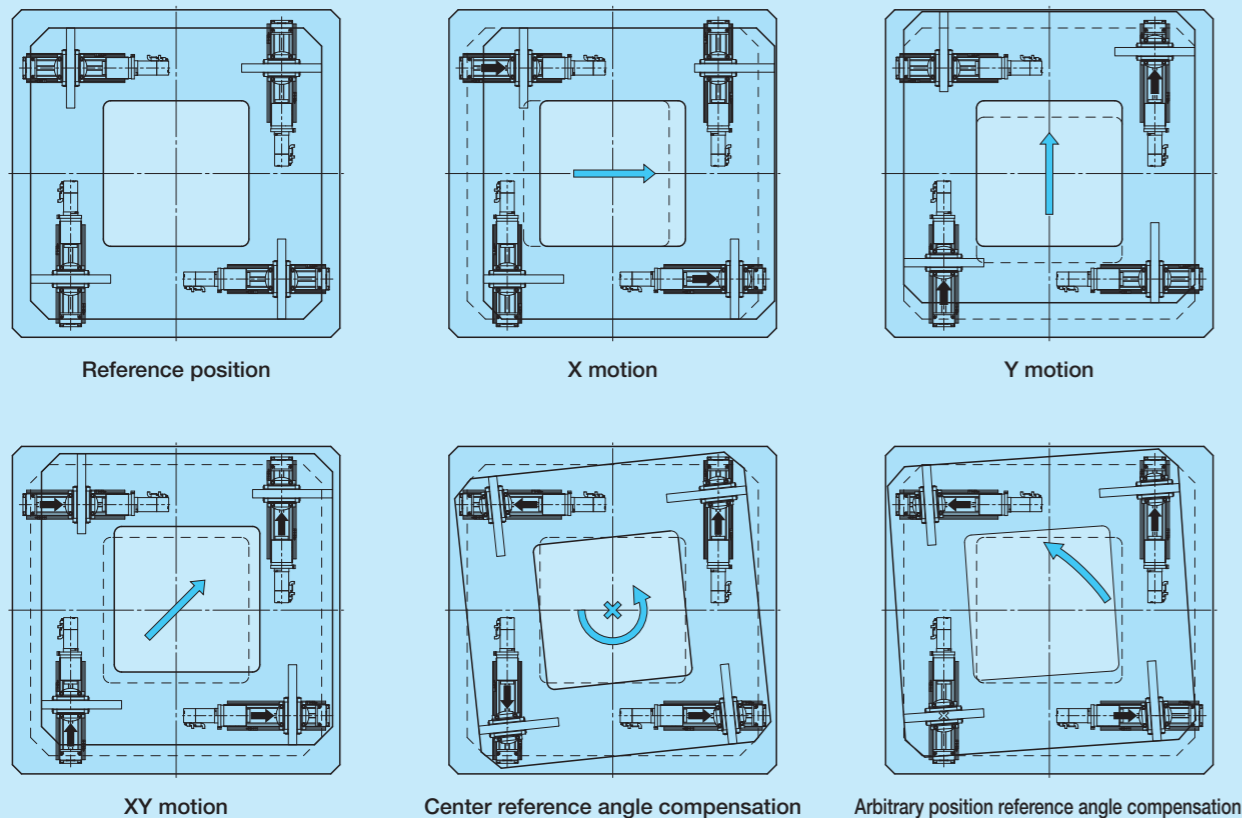


Model and size	A	B	C	D	E	F
AM25	90	4	2	15	8	46.4
AM40	90	4	2	15	8	48.5
AM60	133	5	3	45	16	117.6
AM86	155	5	3	60	8	135

Note (1) The origin is the center of stroke.

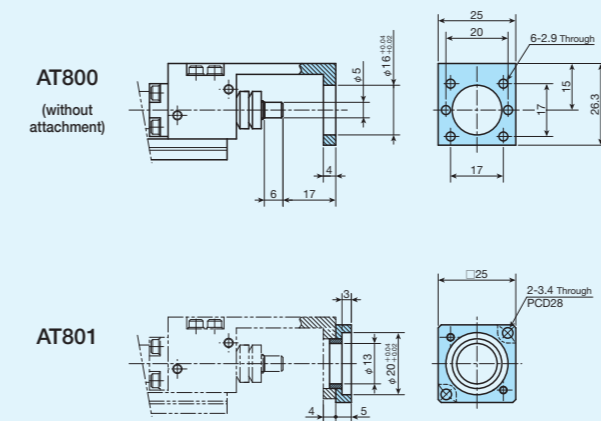
Example of Motion Specification

Combining the AM enables the following table configurations. And, as it is possible to attach this unit to the device to be delivered, if you are interested, please contact IKO.

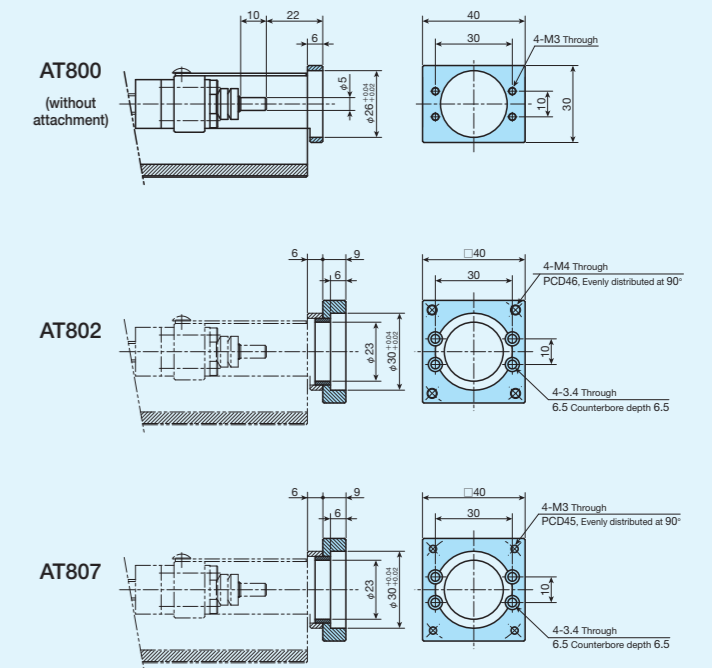


Dimensions of Motor Attachment

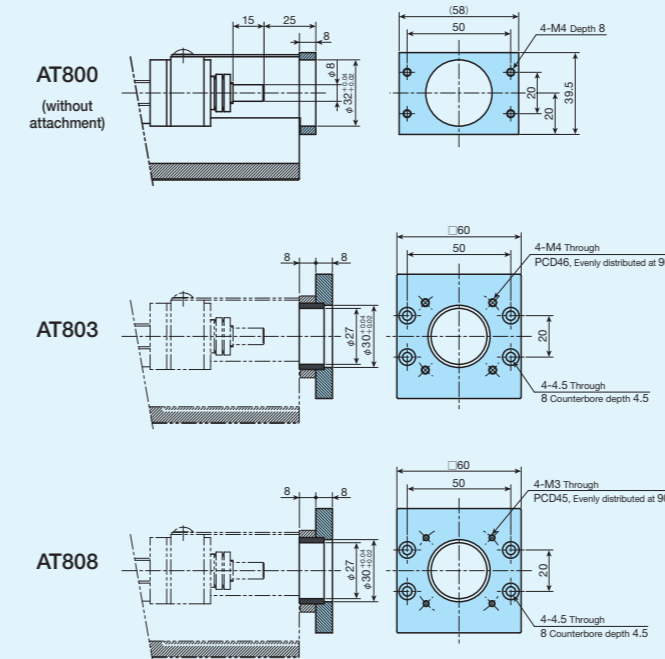
AM25



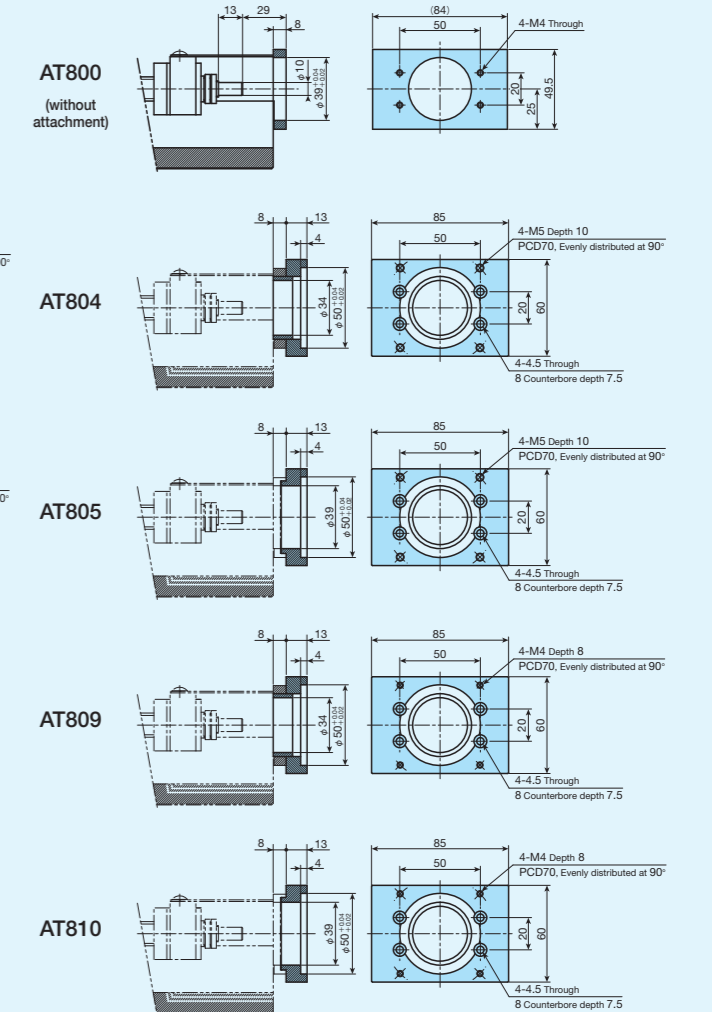
AM40



AM60

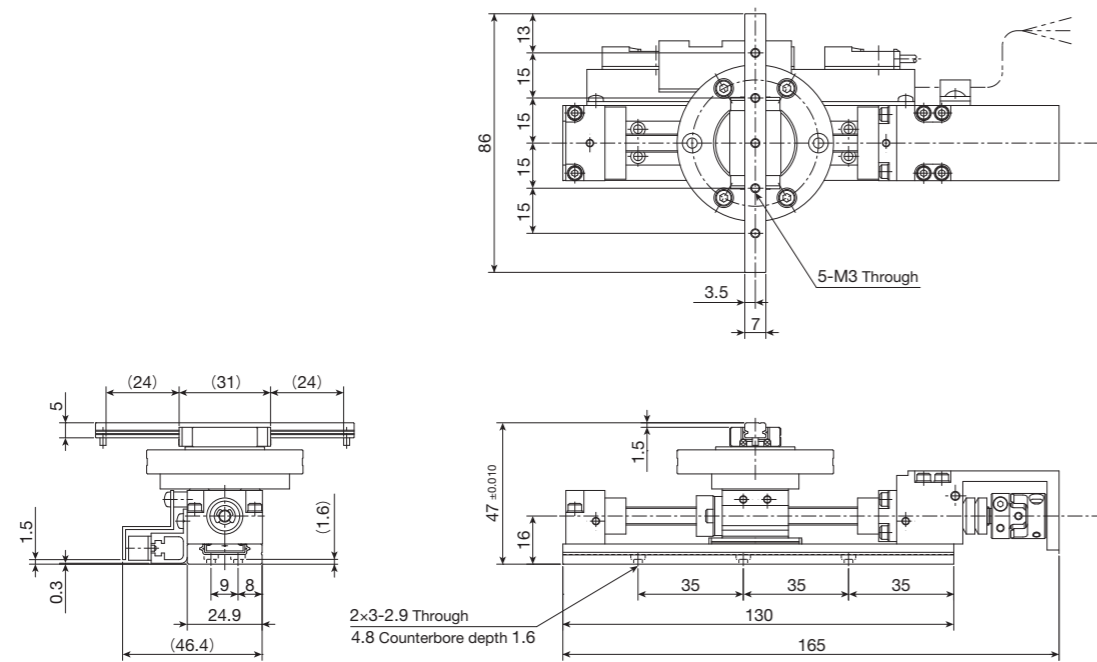


AM86



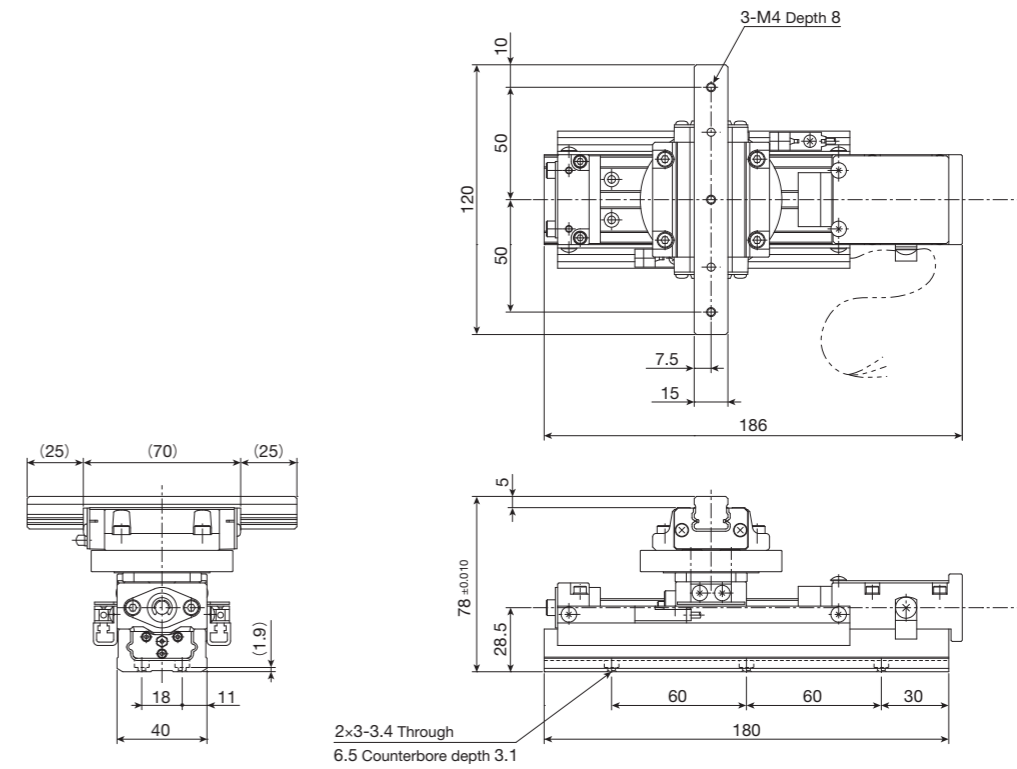
IKO Alignment Module AM

AM25 Without motor attachment and with ball screw



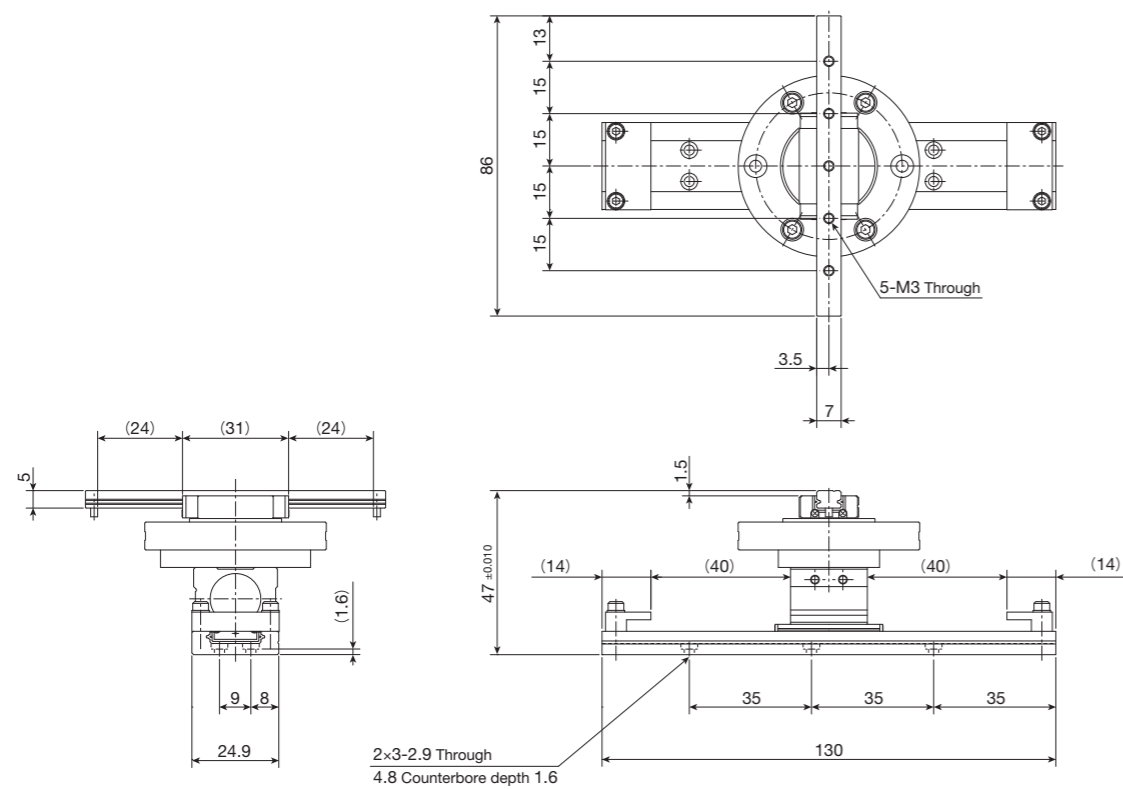
mass: 0.6kg

AM40 Without motor attachment and with ball screw



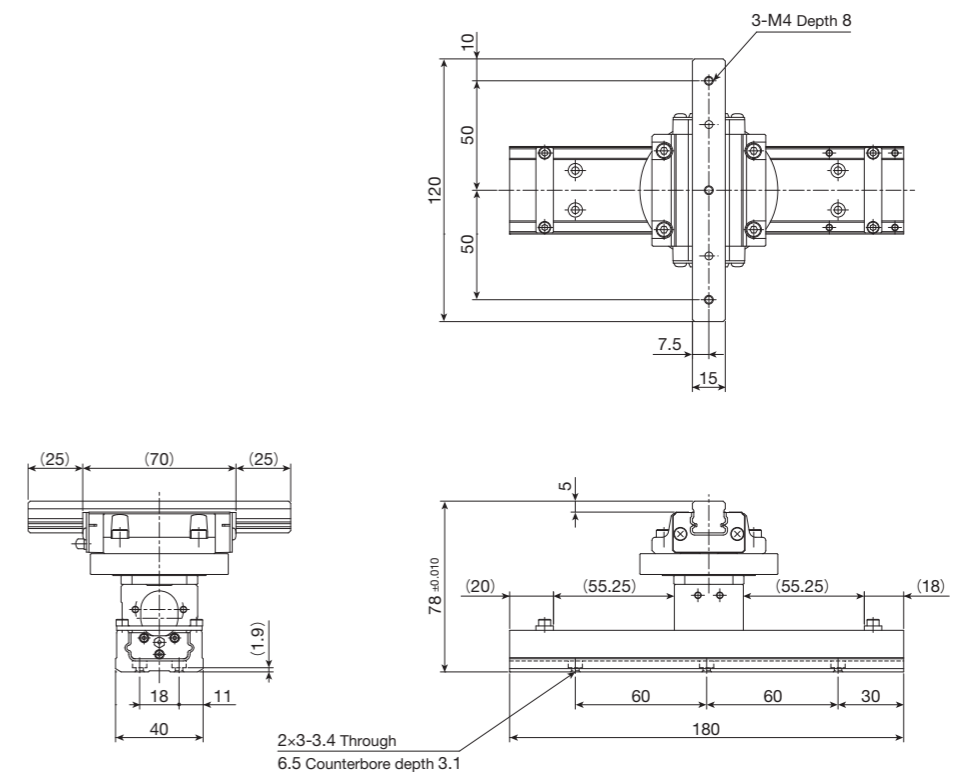
mass: 2.0kg

AM25 Without ball screw



mass: 0.4kg

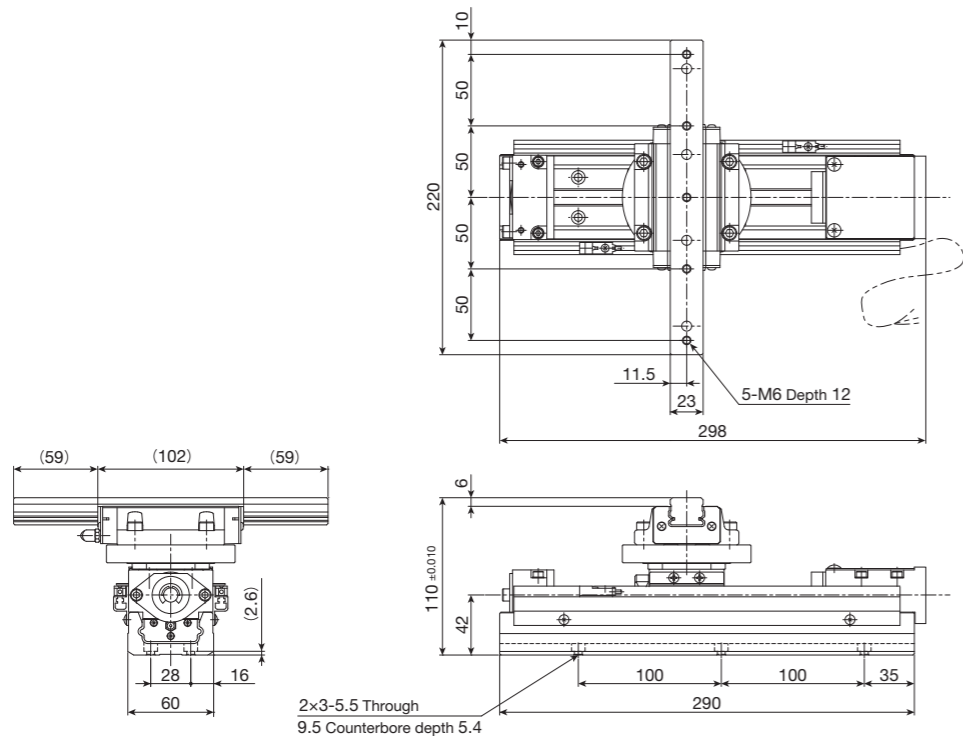
AM40 Without ball screw



mass: 1.5kg

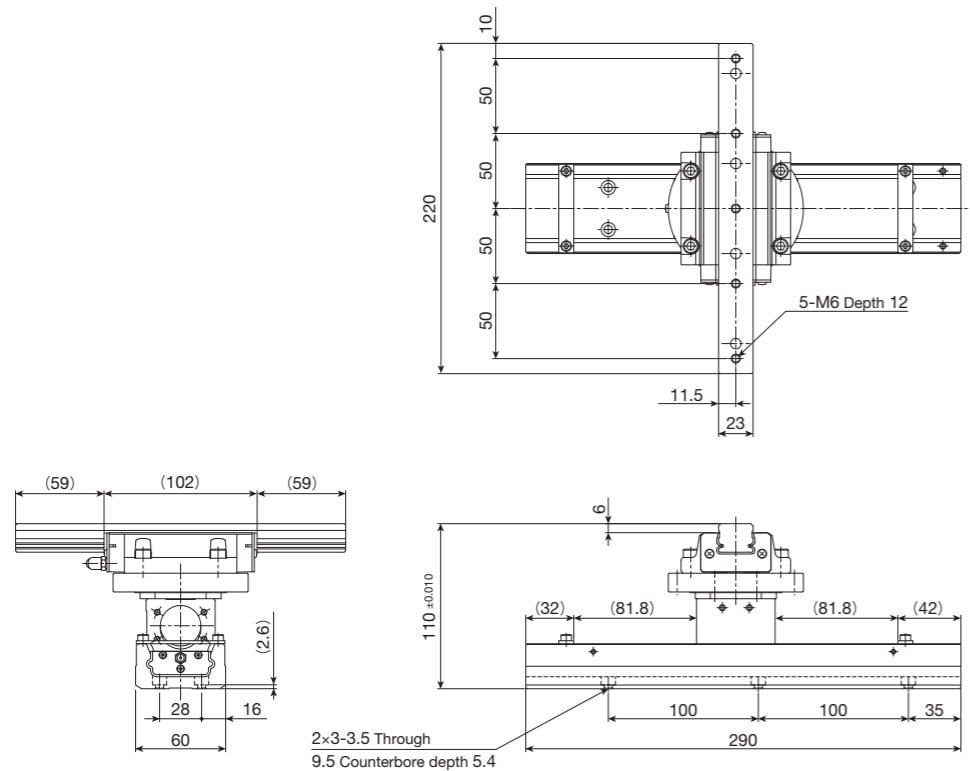
IKO Alignment Module AM

AM60 Without motor attachment and with ball screw



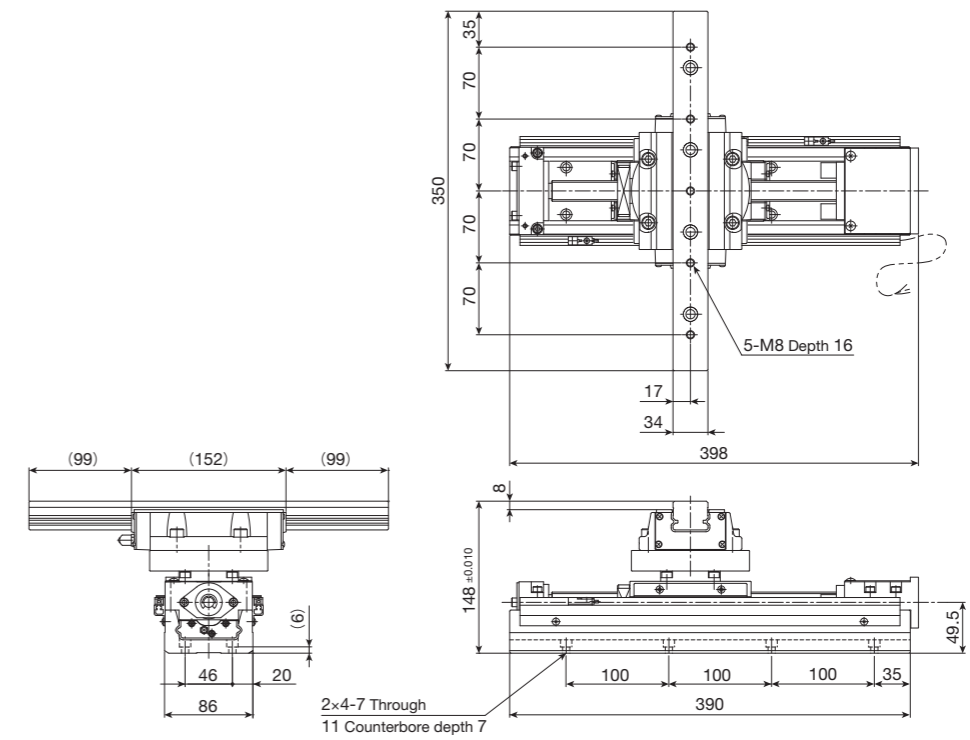
mass: 6kg

AM60 Without ball screw



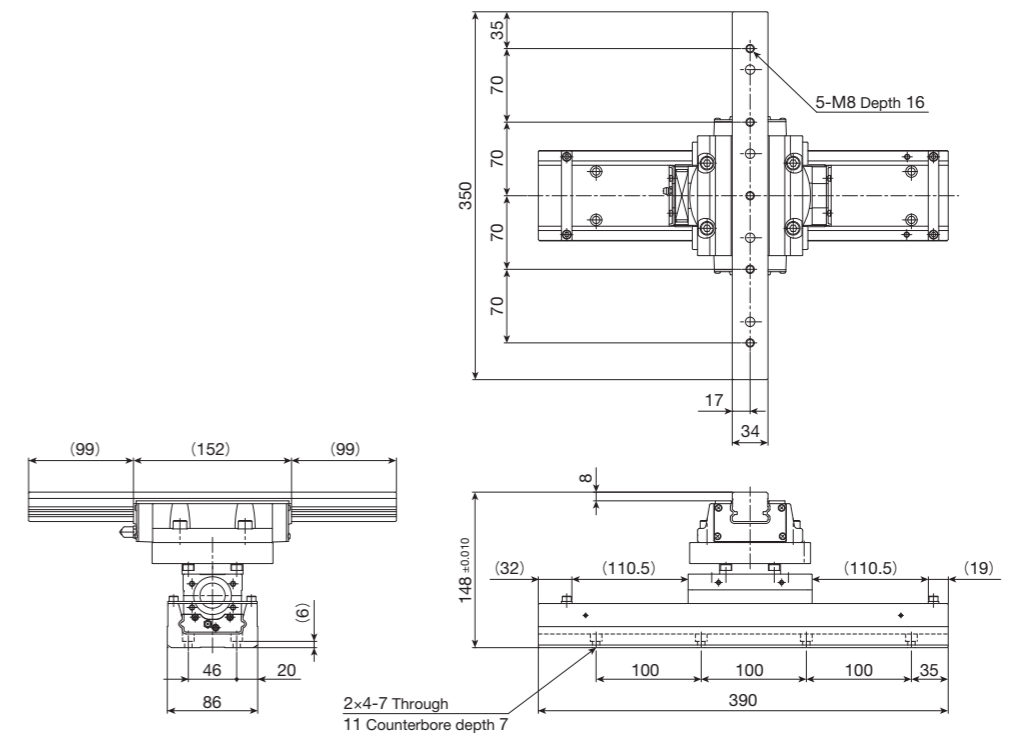
mass: 5kg

AM86 Without motor attachment and with ball screw



mass: 17kg

AM86 Without ball screw



mass: 15kg